

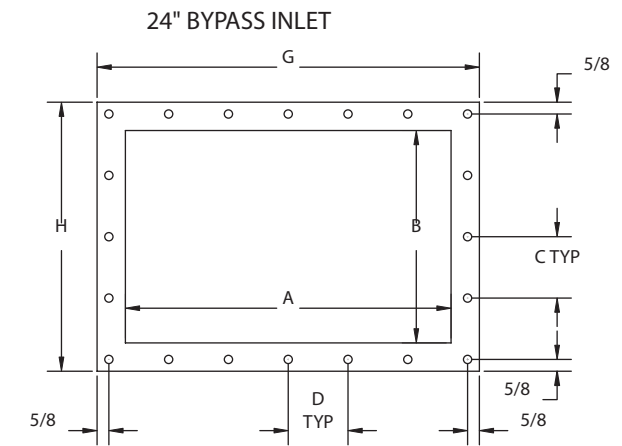
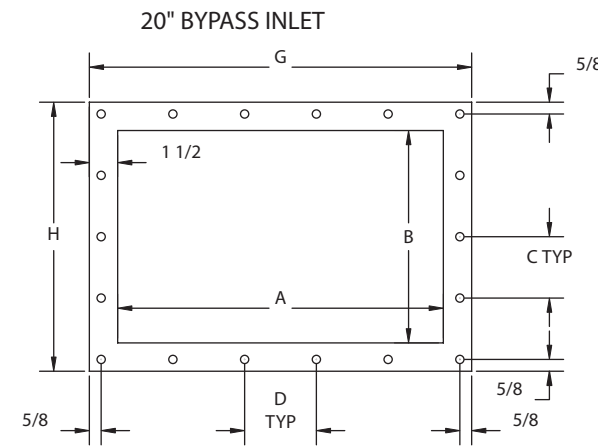
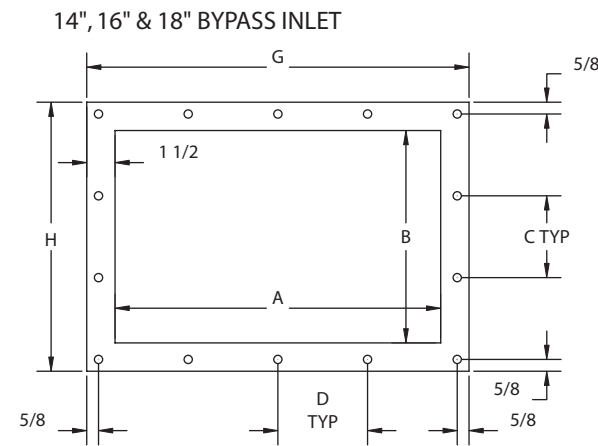
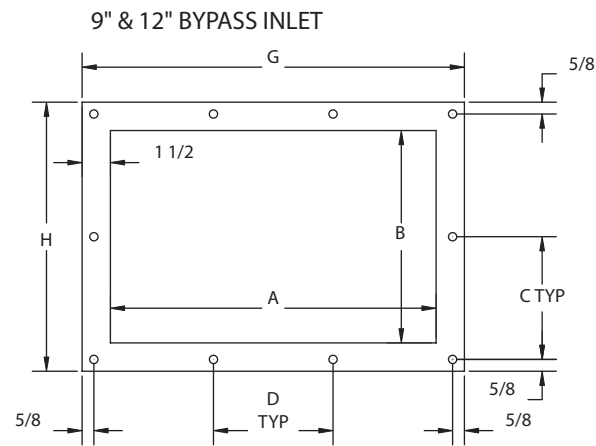
Sidney Manufacturing Company

P.O. Box 380
405 North Main Street
Sidney, Ohio 45365-0380

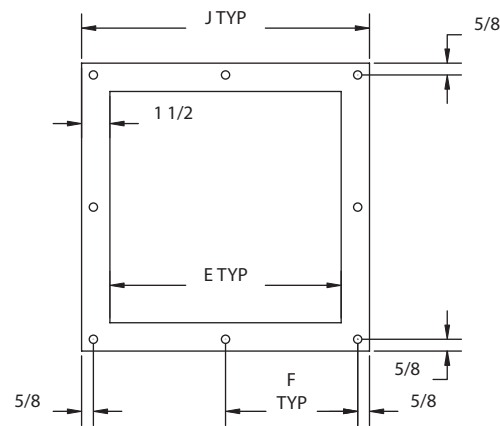
937-492-4154
Fax: 937-492-0919
800-482-3535 Nationwide

DIMENSIONAL INFORMATION "SIDEWALL RETURN" DRAG CONVEYOR

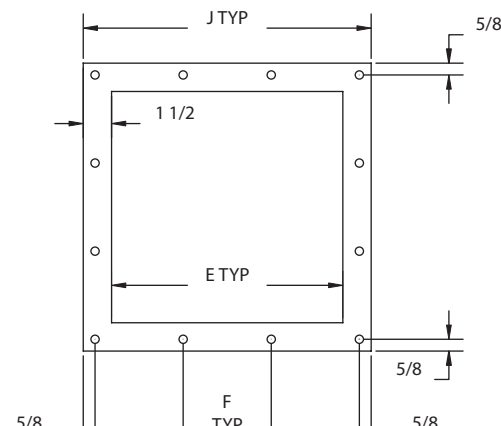
INLET FLANGES



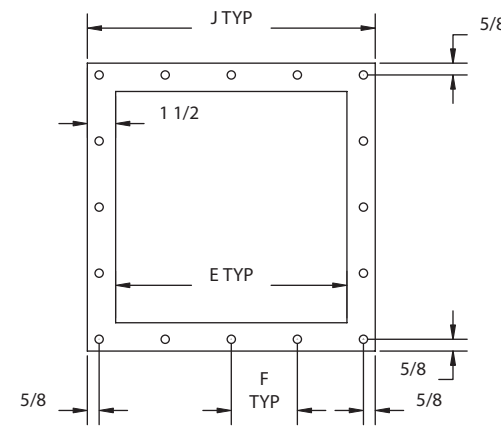
9", 12", & 14" LOW PROFILE INLET



16", 18", & 20" LOW PROFILE INLET



24" LOW PROFILE INLET



CONVEYOR SIZE	A	B	C	D	E	F	G	H	J
9"	17 ¹ / ₄	11 ¹ / ₄	6 ¹ / ₂	6 ⁵ / ₁₆	9 ¹ / ₄	5 ¹ / ₂	20 ¹ / ₄	14 ¹ / ₄	12 ¹ / ₄
12"	21 ¹ / ₄	14 ¹ / ₄	8	7 ¹¹ / ₁₆	12 ¹ / ₄	7	24 ¹ / ₄	17 ¹ / ₄	15 ¹ / ₄
14"	25 ¹ / ₄	16 ¹ / ₄	6	6 ³ / ₄	14 ¹ / ₄	8	28 ¹ / ₄	19 ¹ / ₄	17 ¹ / ₄
16"	28 ¹ / ₄	18 ¹ / ₄	6 ¹¹ / ₁₆	7 ¹ / ₂	16 ¹ / ₄	6	31 ¹ / ₄	21 ¹ / ₄	19 ¹ / ₄
18"	32 ¹ / ₄	21 ¹ / ₄	7 ¹¹ / ₁₆	8 ¹ / ₂	18 ¹ / ₄	6 ¹¹ / ₁₆	35 ¹ / ₄	24 ¹ / ₄	21 ¹ / ₄
20"	35 ¹ / ₄	23 ¹ / ₄	6 ¹ / ₄	7 ³ / ₈	20 ¹ / ₄	7 ⁵ / ₁₆	38 ¹ / ₄	26 ¹ / ₄	23 ¹ / ₄
24"	41 ¹ / ₄	27 ¹ / ₄	7 ¹ / ₄	7 ³ / ₁₆	24 ¹ / ₄	6 ¹ / ₂	44 ¹ / ₄	30 ¹ / ₄	27 ¹ / ₄

ALL FLANGES ARE 7 GAUGE MATERIAL
MOUNTING HOLES ARE FOR BOLTS ³/₈